

Consumables

Labels are available in various shapes, sizes, and colours, both in roll and fanfold formats. Rolls can be customized in terms of label number and core diameter. Thanks to the use of the finest raw materials and stringent quality tests, we can ensure the highest quality and performance of our

Wide range of ribbon foils for all thermal printers available on the market: wax, wax-resin, and resin.



Inks series TJ900 based on water oil, and MEK

HR inks based on oil



UV inks
Based on water solvents for cleaning

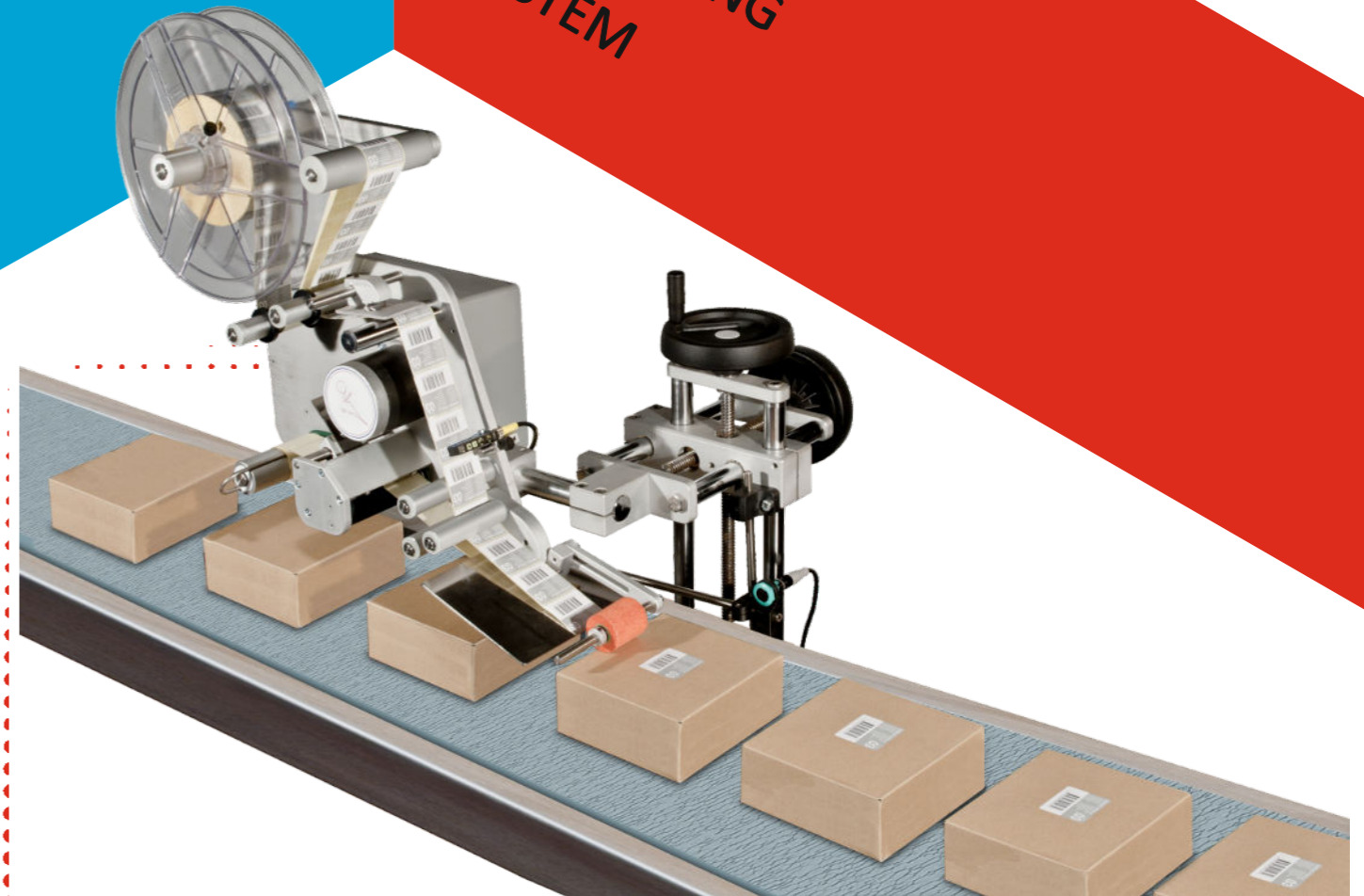


Fluorescent crayons and ink used for marking materials on line equipped with UV sensor

THERMAL RIBBONS AND INKS



PRINTING AND MARKING SYSTEM



Large character printer

The KT series large character inkjet printing systems allow any type of packaging or moving object to be marked with alphanumeric characters.

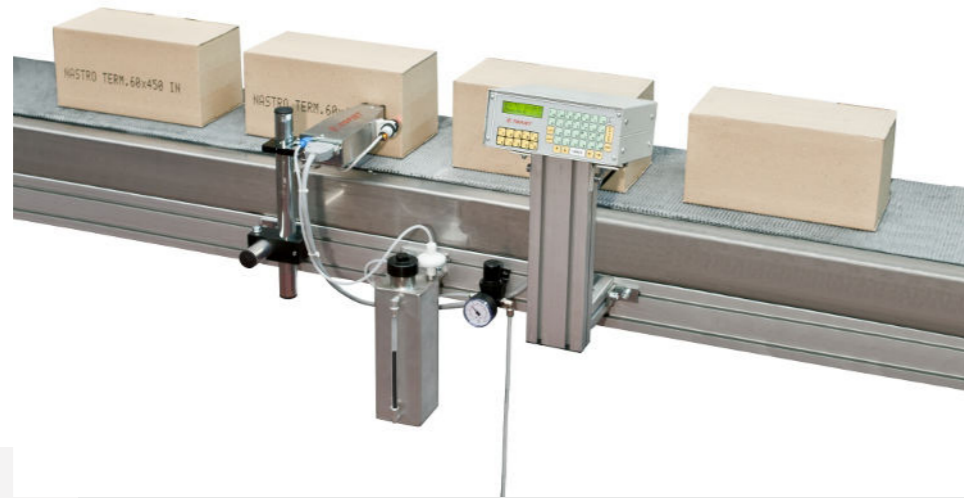
These systems use 7-dot (KT7) or 16-dot (KT16) print heads, and nominal character height ranges from a minimum of 12.6 mm to a maximum of 75 mm.

Due to its compact dimensions and universal installation position, it easily integrates into any type of production line or system to print texts, lots, the time and date.

The wide range of inks available allows for application on any type of surface, such as: absorbent paperboard, wood, glossy paperboard, glass, metals, plastic materials, polystyrene, ceramic, brick, natural stones and more.

The control panels are simple and intuitive, allowing operators to attain complete mastery of the KT series printing systems in just a short time.

The KT series large character inkjet printing systems allow any type of packaging or moving object to be marked with alphanumeric characters.



High resolution printers HR series and HR UV series

HR series inkjet high resolution printing systems allow coding any type of moving packaging material or item by means of alpha-numeric texts, linear barcodes, 2D codes, logos, and clip art.

Oil based inks allow application on porous surfaces such as non-glossy paper and non-glossy cardboard both white and coloured. These systems use 510 dot print heads and a 180 dpi (dots per inch) resolution, thereby obtaining a printing area 71 mm.

This option allows extending the printing height up to $4 \times 71 = 284$ mm, and treating the printing layout as a single entity. Thanks to their compact sizes and universal mounting position, they can be easily integrated in systems and production lines. Also this systems allow an easy rotation of print head; in this way it is possible to print even on horizontal surfaces.

Programming console is simple and intuitive, allowing operators to quickly and fully master HR printing systems. Only difference between printers HR series and HR UV series is use a UV lamp.

The control net allows to manage up to 64 heads and up to 16 controllers.



PRINTERS

Labelling systems



The labelling machines of the L SERIES allow to apply pre-printed labels up to 150 mm in width at a maximum speed of 20 metres per minute



The labelling machines of the T SERIES allow to apply pre-printed labels up to 250 mm in width at a maximum speed of 30 metres per minute.



The labelling machines of the V SERIES allow to apply pre-printed labels up to 200 mm in width at a maximum speed of 50 metres per minute.

Thermal printers

They allow you to print on special thermal paper that changes its color under heat. advantage of these printers is no need for ribbons, toners and inks. They are quick to print and quiet.



Px4i
paper width max
max 110 mm



Px6i
paper width max
max 170 mm



I-4208
paper width max
max 118mm

PRINTERS