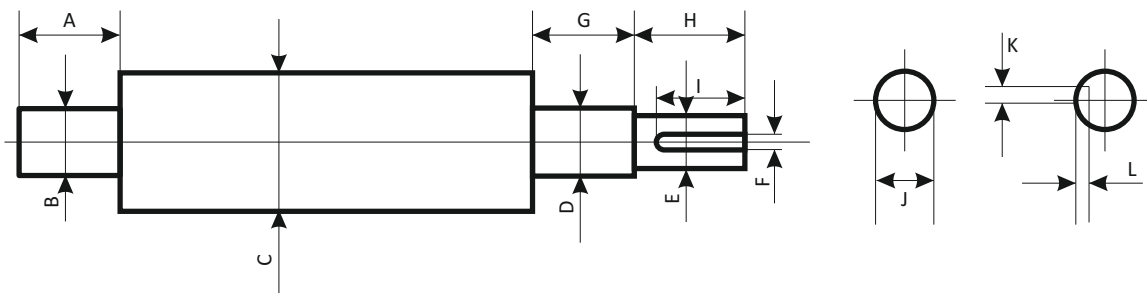


Galvanized steel rollers

Production lines fixed and mobile available in diameters of 30 and 35mm length from 400 to 1000mm with different edges and the possibility turning and milling.



Edging roll

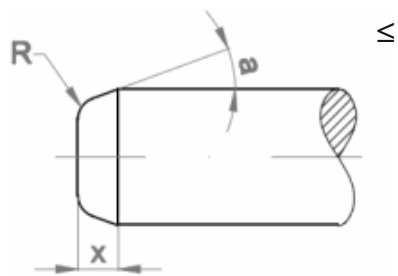
1. Cutting and deburring



After cutting to the ordered length of the roller edges are graded. On request, we can finish the edges in one of the ways shown below.

Cutting and standard stage

2. Radiused



Roller diameter $\varnothing D$ [mm]	Stage x [mm]	Angle	Rafius R [mm]
$\varnothing d \leq 10$	1	15°-20°	1
$10 < \varnothing d \leq 30$	1,5	15°-20°	1
$30 < \varnothing d \leq 80$	2,5	15°-20°	1

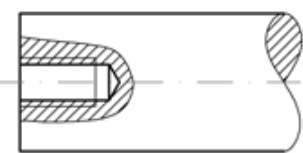
3. Cutting and stage 45°



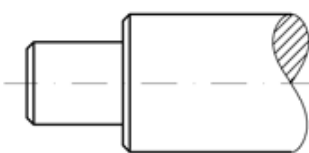
There is also the possibility of stage 45°.

Additional sample

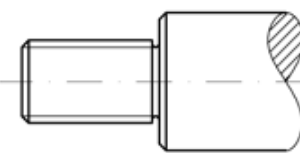
Below there is some example of additional processing line roller



The internal thread in the axis of roller



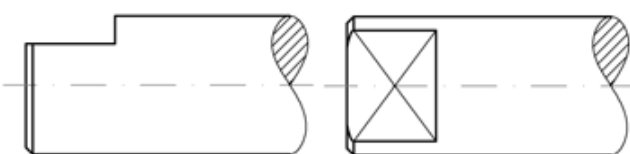
Completion of roller turned



External thread .



Groove rolled the snap ring

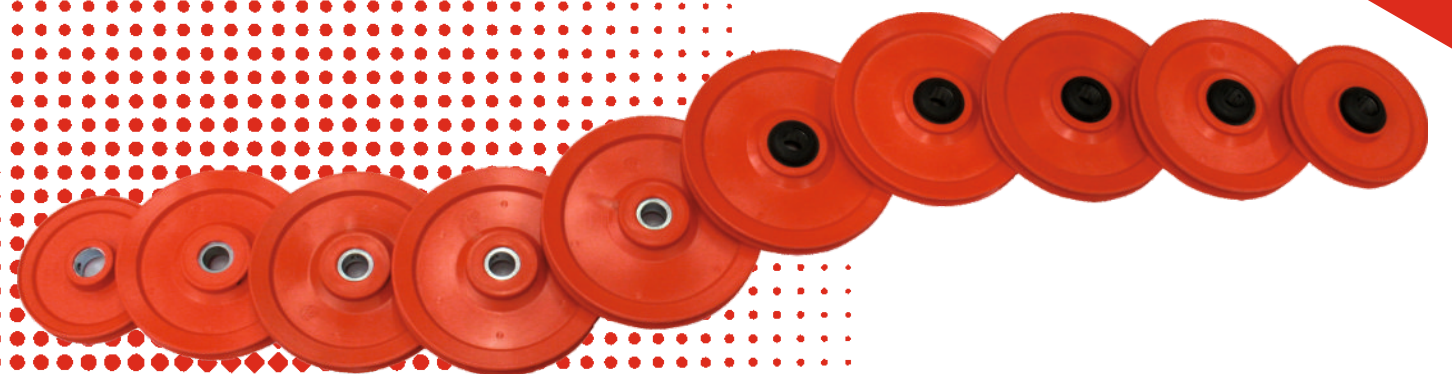


Completion of roller with the surface polished

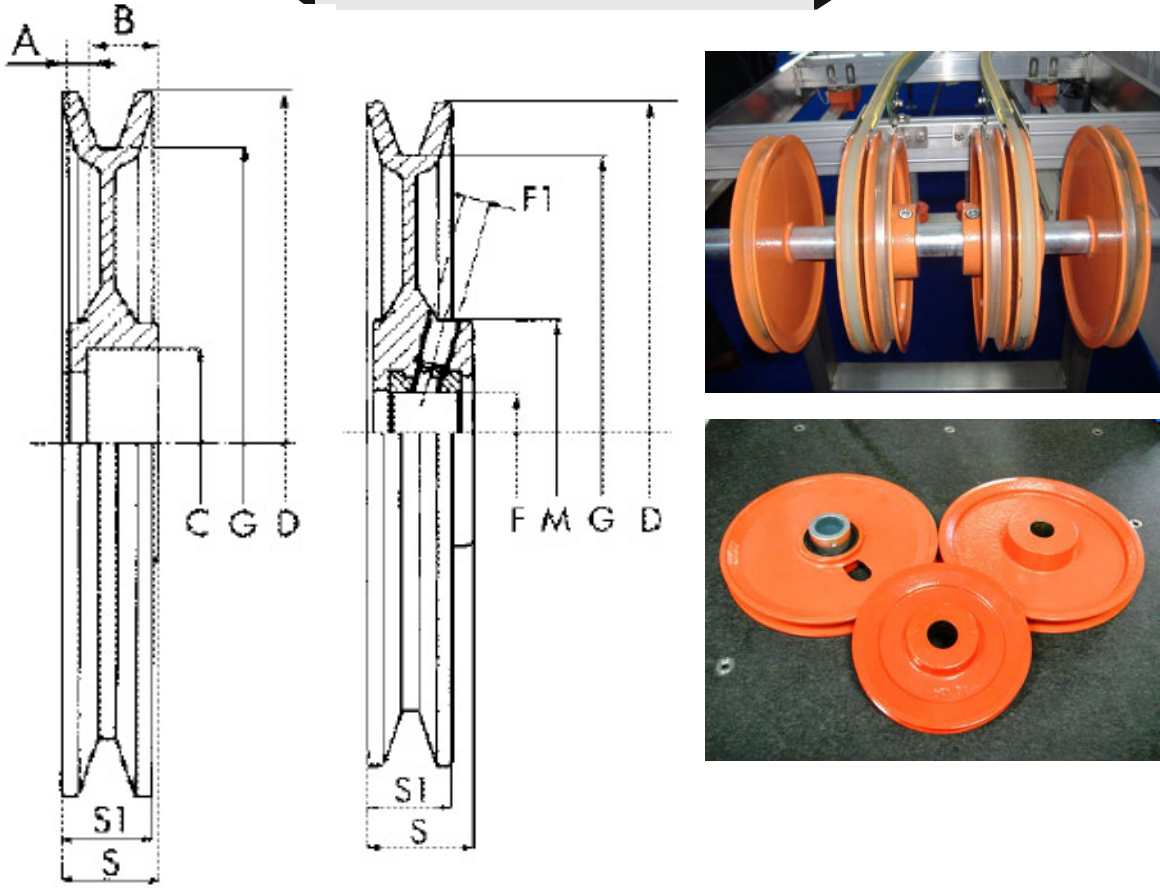
GALVANIZED AND STAINLESS STEEL SHAFTS



PULLEYS  
SHAFTS  
SUPPORTS AND  
BEARINGS



Pulleys cast iron



Pulleys cast iron, made the trapeze harness, designed for the transport of ceramic tiles on the enamel lines. They are available in fixed version, with a hole for a screw without a head, to be mounted directly on the shaft diam 30 and diam 35, and a mobile unit, with a hole designed for bearing diam 62/30 and 68/35.

Fixed pulley

COD	D PULLEY [mm]	type	D	F	F1	G	M	S	S1
PL11DB170X1/F35	170	B	180	30/35	M10	156	75	32,4	20,4
PL11DB220X1/F35	220	B	232	30/35	M10	201	83	34,0	25,0
PL11DC220X1/F35	220	C	232	30/35	M10	192	83	36,0	28,0
PL11DB230X1/F35	230	B	243	30/35	M10	215	83	34,0	25,0
PL11DC230X1/F35	230	C	243	30/35	M10	205	83	36,0	28,0
PL11DB240X1/F35	240	B	252	30/35	M10	333	83	34,0	25,0
PL11DC240X1/F35	240	C	252	30/35	M10	328	83	36,0	28,0
PL11DB250X1/F35	250	B	262	30/35	M10	232	61	44,0	23,0
PL11DC250X1/F35	250	C	262	30/35	M10	232	61	44,0	28,0

Mobile pulley

Cod	D pulley [mm]	type	A	B	C	D	G	S	S1
PL12DB170X1 / F68	170	B	4	23	62/68	180	156	25,0	25,0
PL12DB220X1 / F68	220	B	4	23	62/68	232	201	28,6	28,6
PL12DC220X1 / F68	220	C	4	23	62/68	232	192	28,6	28,6
PL12DB230X1 / F68	230	B	4	23	62/68	243	215	28,6	28,6
PL12DC230X1 / F68	230	C	6	27	62/68	243	205	28,6	28,6
PL12DB240X1 / F68	240	B	4	23	62/68	252	222	29,0	29,0
PL12DC240X1 / F68	240	C	6	27	62/68	252	213	29,0	29,0
PL12DB250X1 / F68	250	B	4	23	62/68	261	231	29,0	29,0
PL12DC250X1 / F68	250	C	6	27	62/68	261	223	29,0	29,0

Plastic pulley

A good alternative to cast iron pulleys, especially in wet areas are wheels with a thermoplastic resin.

Benefits:

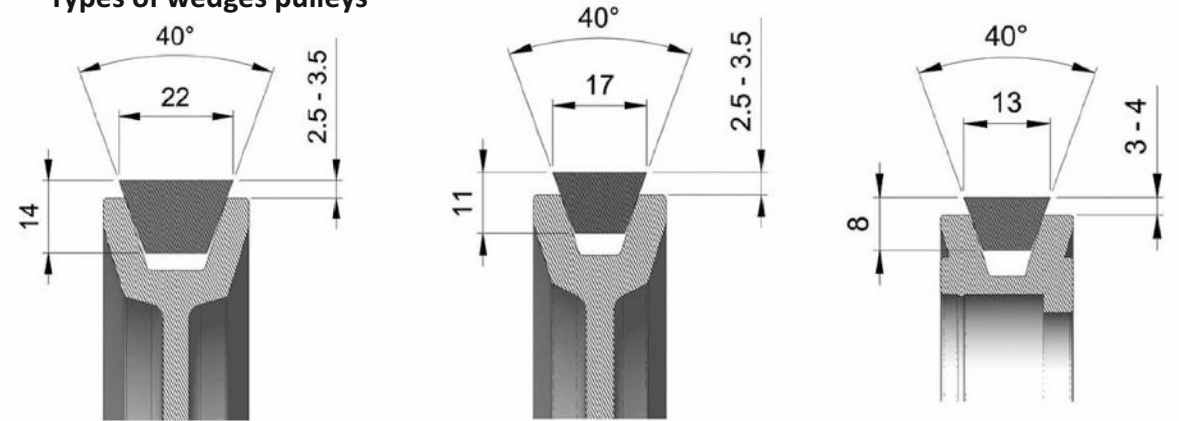
- low weight  
Weight plastic wheels is reduced by 60% resulting in lower transportation costs, less strain and easier job for entire path, with a longer service life.
- High resistance to dirt  
Thermoplastic resin enamel prevent sticking during operation thereby reducing the number of interventions in particular on the enamel line. Chemical inertness also prevents the resin sticking to the belt surface of the wheel.



- Increased life  
Thanks to its characteristics, wheels with thermoplastic resin in standard use are more durable than cast iron wheels.
- Lack of maintenance  
Wheels with a thermoplastic resin do not corrode, and do not need to be re-painted since the resin itself is colored.
- No effect to substances transported  
The wear of the wheels has a negligible impact for substances transported on the line (in particular the enamel line)

Plastic wheels available as a mobile or fixed bearing shaft diam 30 and diam 35, of the wedge belt A-B-C

Types of wedges pulleys



Bearings and bearing housings

Bearings UC 206, UC 207, UC 208 for installation in cast iron pulleys. Bearing UCP 206 UCP 207 UCP 208 for mounting kits drive division lines.

Rollers for roller stoves dimensions 8X45X12 / 15, 8X52X12 / 15, 8X58X12 / 15, 10X45X12 / 15, 10X52X12 / 15, 10X58X12 / 15

